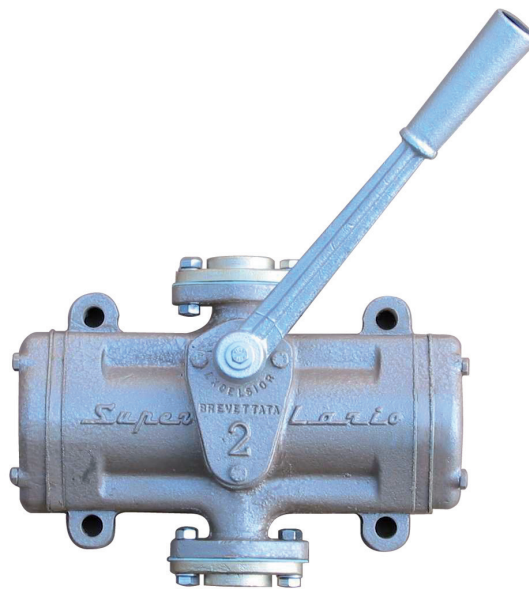


EX • SL

Pompe a mano autoadescanti / Self-priming hand pumps



EX



SL

DESCRIZIONE E APPLICAZIONI

Pompe a mano particolarmente indicate per lo svuotamento delle sentine ed il travaso di liquidi come: acqua dolce, acqua di mare, gasolio ed olio.

Serie EX: pompa a mano semi-rotativa, **autoadescante**, a duplice effetto, a movimento alternato con corpo e interni in bronzo (B) oppure con corpo e coperchio in ghisa e interni in bronzo (GB). A richiesta tenute in Viton (V).

Serie SL: pompa a mano a pistoni, **autoadescante**, a duplice effetto, a movimento alternato con corpo e interni in bronzo (B), con corpo e coperchio in ghisa (G) oppure con corpo e coperchio in ghisa e tenute in Viton (GV).

DESCRIPTION AND USE

Hand pumps widely used for empty bilge and for transfer liquid such as: fresh water, sea water, diesel-oil and oil.

EX series: semi-rotary hand pump, self-priming, double action, reciprocating action with body and internal parts made in bronze (B) or cast iron body and cover and internal parts made in bronze (GB). On request Viton seals (V).

SL series: piston hand pump, self-priming, double action, reciprocating action with body and internal parts made in bronze (B), cast iron body and cover (G), cast iron body and cover and Viton seals (GV).

PRESTAZIONI / PERFORMANCES

Modello Type	Materiale Material		Bocche Exits (Gas-BSP)	Aspirazione Inlet (m)	Portata Max. Max. delivery (l/min.)	Prevalenza Max. Max. head (m)	Peso Weight (kg)	
	Bronzo / Bronze	Ghisa / Caston iron					B	G-GV
EX 00	B		3/8"	7	13	25	2,2	-
EX 00		GB	1/2"	7	13	25	-	2,2
EX 0	B	GB	1/2"	7	16	25	3,3	3,1
EX 1	B	GB	3/4"	7	20	25	4,8	4,3
EX 2	B	GB	1"	8	30	25	6	5,5
EX 3	B	GB	1"1/4	8	40	25	9	8,3
EX 4	B	GB	1"1/4	8	55	25	11,5	9
EX 5	B	GB	1"1/2	8	80	25	15	12,5
EX 7		GB	2"	8	105	25	-	17

B: Pompa in bronzo / Pump made in bronze

GB: Pompa in ghisa con interni in bronzo / Pump made in cast iron with internal parts made in bronze

A richiesta tenute in viton / On request Viton seals

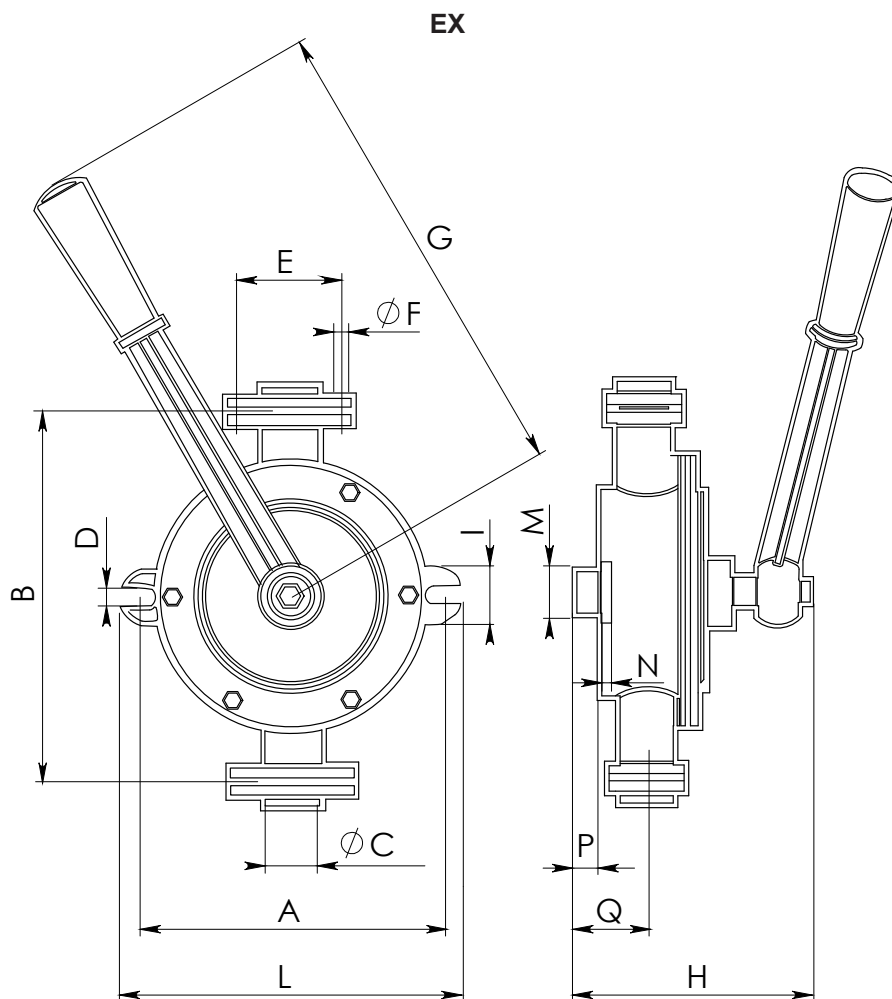
Modello Type	Materiale Material		Bocche Exits (Gas-BSP)	Aspirazione Inlet (m)	Portata Max. Max. delivery (l/min.)	Prevalenza Max. Max. head (m)	Peso Weight (kg)	
	Bronzo / Bronze	Ghisa / Caston iron					B	G-GV
SL 2	B	G-GV	1"	8	40	30	9,2	8,7
SL 3	B	G-GV	1"1/4	8	55	30	14,6	12,2
SL 4	B	G-GV	1"1/2	8	80	30	21,5	18,5
SL 5	B	G-GV	2"	8	110	30	30,5	28,1

B: Pompa in bronzo / Pump made in bronze

G: Pompa in ghisa / Pump made in cast iron

GV: Pompa in ghisa con tenute in Viton / Pump made in cast iron with Viton seals

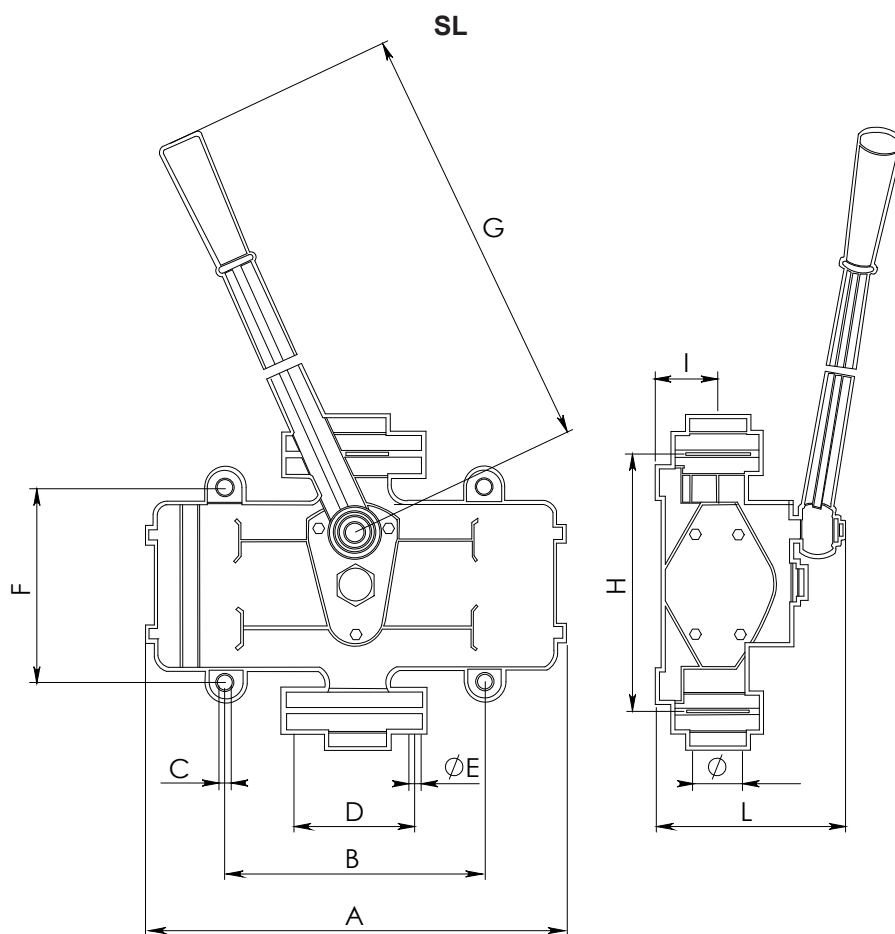
DIMENSIONI E PESI / DIMENSIONS AND WEIGHTS



Modello Type	ØC (Gas - BSP)	A	B	D	E	ØF	G	H	I	L	M	N	P	Q
EX 00	3/8"	125	120	9	43	7	170	133	25	135	25	11	13	28
EX 00	1/2"	125	120	9	43	7	170	133	25	135	25	11	13	28
EX 0	1/2"	125	175	9	43	7	260	136	26	148	25	11	16	28
EX 1	3/4"	150	205	11	55	7	260	136	32	176	25	15	16	29
EX 2	1"	170	230	12	64	9	260	138	32	195	25	15	16	32
EX 3	1"	190	260	12	74	9	320	166	35	222	30	15	19	35
EX 4	1 1/4"	220	280	12	74	9	410	185	38	250	33	18	25	42
EX 5	1 1/4"	250	320	15	85	9	410	185	45	287	34	20	25	43
EX 7	1 1/2"	300	390	18	106	14	410	230	50	335	45	22	32	48

Misure in millimetri (mm), dimensioni non impegnative / Measures in millimeter (mm), dimensions approximated

DIMENSIONI E PESI / DIMENSIONS AND WEIGHTS



Modello Type	Ø (Gas - BSP)	A	B	C	D	ØE	F	G	H	I	L
SL 2	1"	280	185	11	64	9	132	270	170	39	130
SL 3	1 1/4"	330	210	13	74	9	165	330	200	45	165
SL 4	1 1/2"	370	250	13	85	9	190	500	250	50	190
SL 5	2"	480	340	13	85	9	220	500	260	65	220

Misure in millimetri (mm), dimensioni non impegnative / Measures in millimeter (mm), dimensions approximated